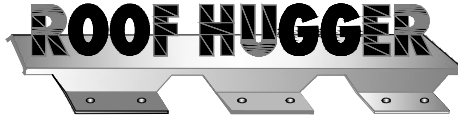
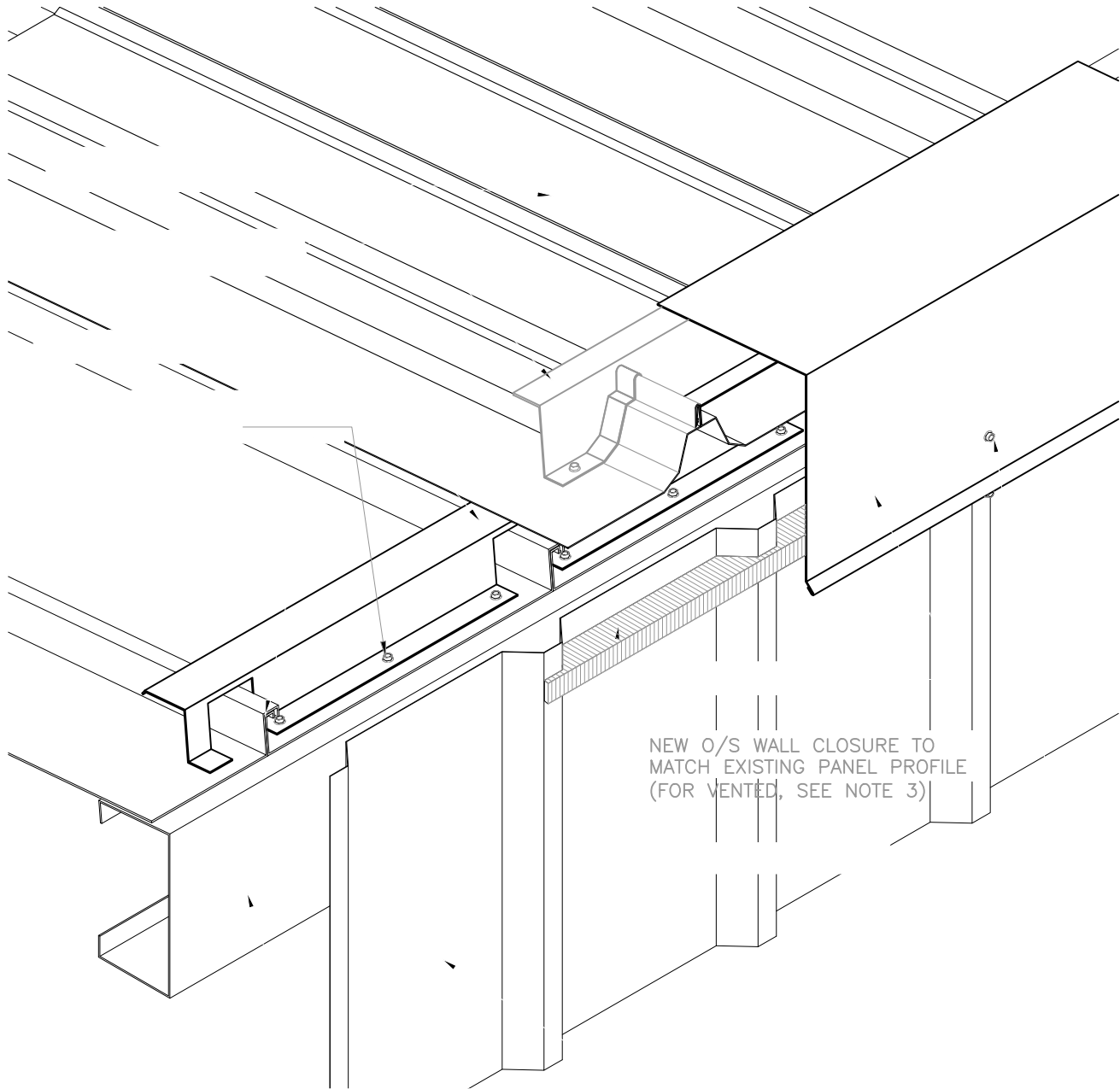


ROOF HUGGER, LLC
P.O. BOX 127, ODESSA FL 33556
P: 800 771-1711
F: 877 202-2254
www.roofhugger.com



COPYRIGHT © 2017
A Member Company of LSI Group, Inc.



NEW O/S WALL CLOSURE TO
MATCH EXISTING PANEL PROFILE
(FOR VENTED, SEE NOTE 3)

NEW TRAPEZOIDAL SSR OVER EXISTING VERTICAL RIB SSR ROOF PANEL

HIGH EAVE

SCALE: 1 1/2"=1'-0"

HE-04-T/V

04/15/2014