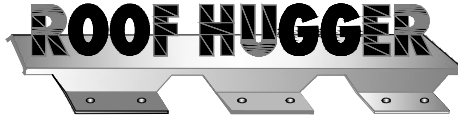
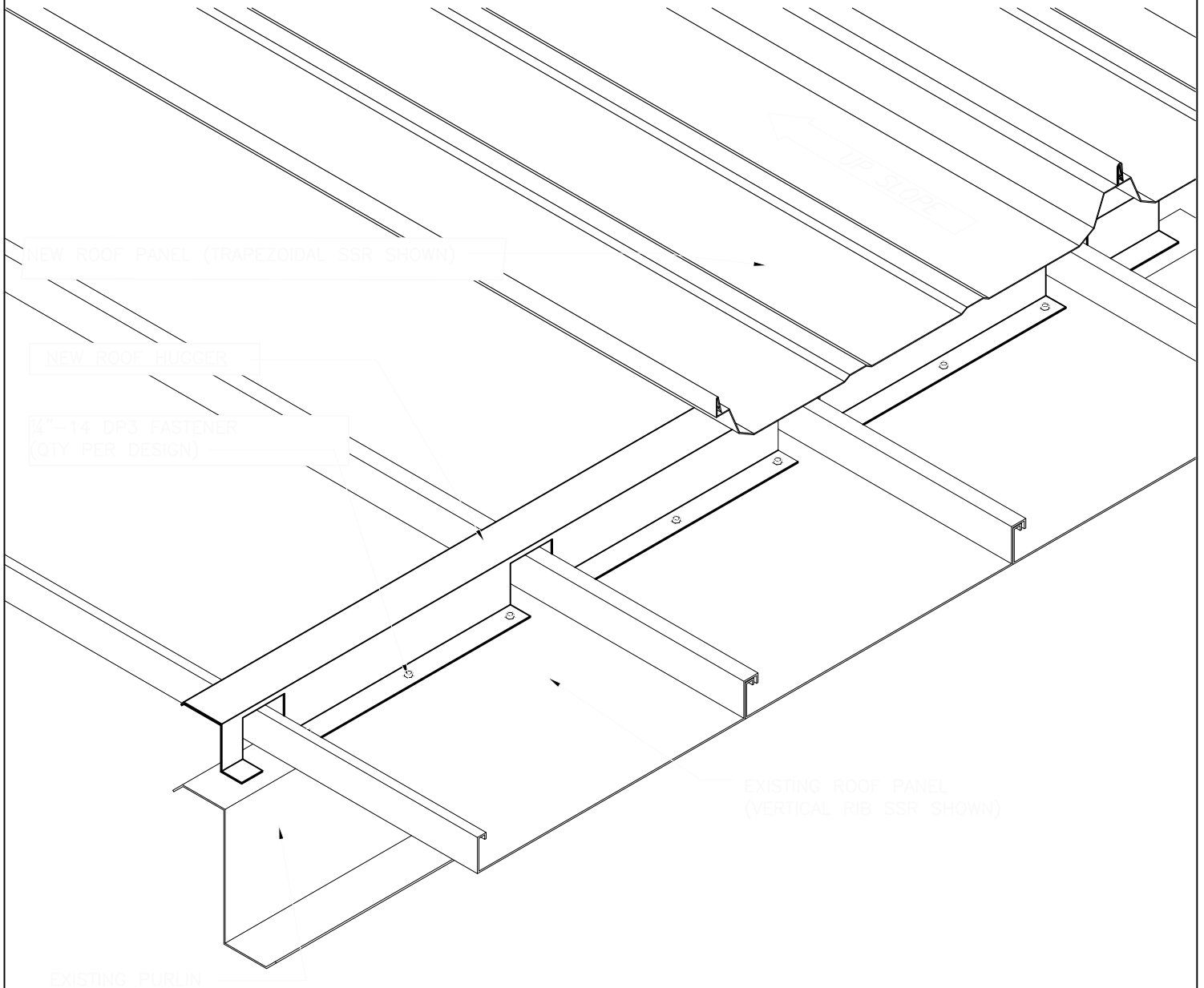


ROOF HUGGER, LLC
P.O. BOX 127, ODESSA FL 33556
P: 800 771-1711
F: 877 202-2254
www.roofhugger.com



COPYRIGHT © 2017
A Member Company of LSI Group, Inc.



NEW ROOF PANEL (TRAPEZOIDAL SSR SHOWN)

NEW ROOF HUGGER

#7-14 DP3 FASTENER
(QTY PER DESIGN)

EXISTING ROOF PANEL
(VERTICAL RIB SSR SHOWN)

EXISTING PURLIN

NOTES:

1. ALL FASTENERS NOT BY ROOF HUGGER UNLESS NOTED OTHERWISE
2. FOR EXISTING VERTICAL RIB SSR WITH STAND-OFF CLIP AND THERMAL SPACER, REFER TO DETAIL SHEET HA-11-VSD
3. ALL NEW ROOF SYSTEMS INCLUDING PANEL, FASTENERS, TRIM AND ACCESSORIES TO BE INSTALLED PER THAT MANUFACTURER'S STANDARDS

NEW TRAPEZOIDAL SSR OVER EXISTING VERTICAL RIB SSR
WITHOUT STAND-OFF CLIP AND THERMAL SPACER

HUGGER ATTACHMENT TO EXISTING PURLIN

SCALE: 1 1/2"=1'-0"

HA-05-T/V
10/15/2013