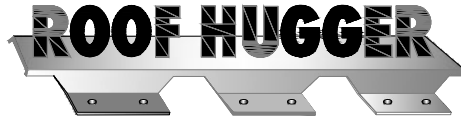
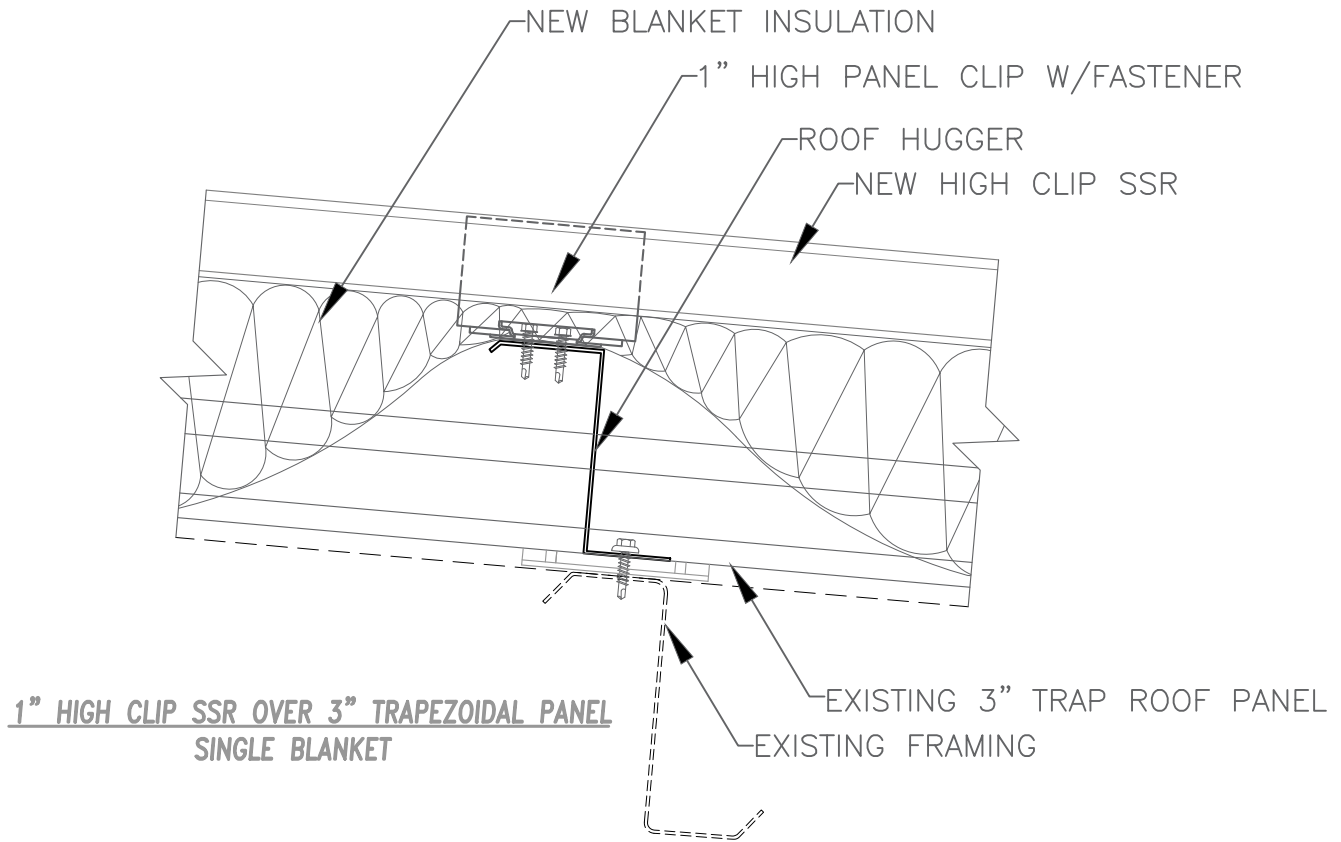


ROOF HUGGER, LLC
P.O. BOX 127, ODESSA FL 33556
P: 800 771-1711
F: 877 202-2254
www.roofhugger.com



COPYRIGHT © 2019
A Member Company of LSI Group, Inc.



System	1" High Clip SSR Over Low Clip 3" Trap. SSR - Single Blanket					
Roof Hugger Web Depth in Inches	Maximum Cavity Depth in Inches	Initial Insulation Thickness in Inches	Estimated R- Value	Estimated U- Value	Thermal Spacer Thickness in	UNFACED Blanket Thickness Combination Used
4.50	5.500	6.00	17.23	0.058	0.375	6.0" blanket over purlins - no thermal spacer

Compressed insulation R-Values have been calculated from a published method of the North American Insulation Manufacturers Association™ (NAIMA™).

Insulation R-Value calculated based on published industry information from NAIMA™, CertainTeed®, Johns Manville® or Owens Corning®.

Due to variations in installation methods and metal roof rib or seam configurations; calculated values shown herein do not compensate for thermal bridging or thermal loss from existing roof panel rib configuration.

Calculated R-Values shown herein do not take credit for air film effects or use of vapor barriers within the insulation system.

INSULATED ASSEMBLIES
SINGLE BLANKET
1" HIGH CLIP SSR OVER LOW CLIP 3" TRAP. SSR

SCALE: NTS

13-1B-S-T
07/15/2019