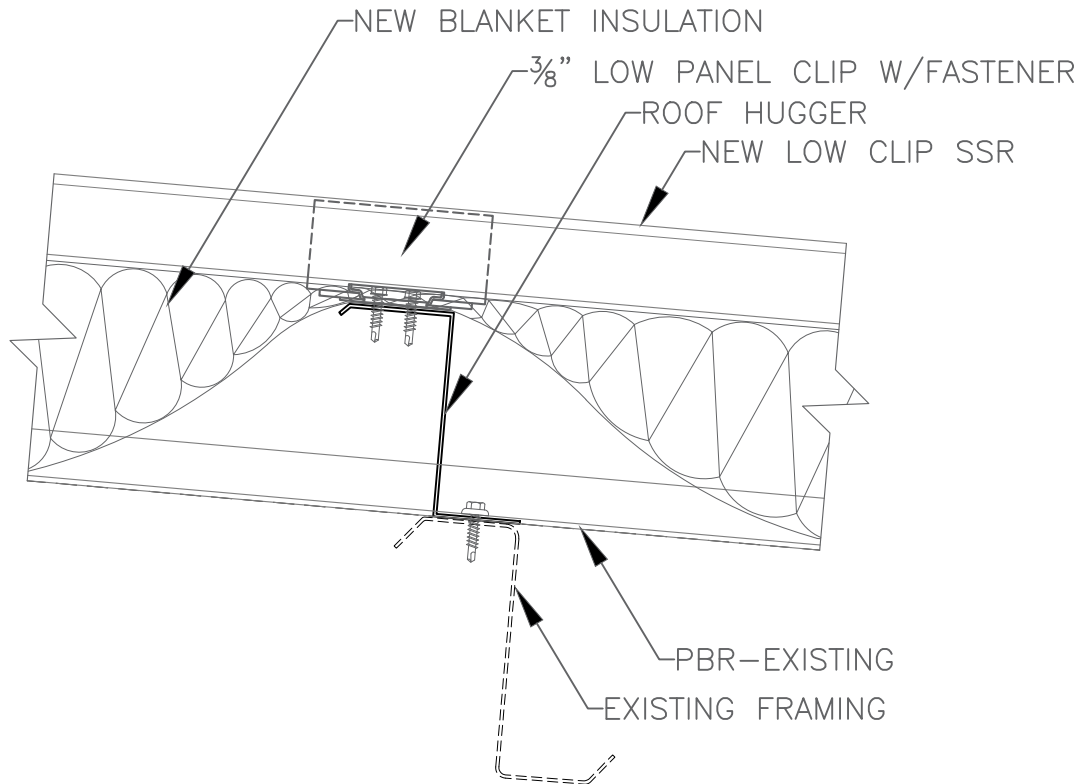


ROOF HUGGER, LLC
P.O. BOX 127, ODESSA FL 33556
P: 800 771-1711
F: 877 202-2254
www.roofhugger.com



COPYRIGHT © 2019
A Member Company of LSI Group, Inc.



3/8" LOW CLIP W/NO THERMAL SPACER SSR OVER PBR
SINGLE BLANKET

System	3/8" Low Clip SSR Over PBR Panel - Single Blanket					
Roof Hugger Web Depth in Inches	Maximum Cavity Depth in Inches	Initial Insulation Thickness in Inches	Estimated R- Value	Estimated U- Value	Thermal Spacer Thickness in Inches	UNFACED Blanket Thickness Combination Used
1.83	2.830	3.00	6.81	0.147	0	3.0" blanket over purlins no thermal spacer
2.75	3.750	4.00	10.2	0.098	0	4.0" blanket over purlins no thermal spacer

Compressed insulation R-Values have been calculated from a published method of the North American Insulation Manufacturers Association™ (NAIMA™).

Insulation R-Value calculated based on published industry information from NAIMA™, CertainTeed®, Johns Manville® or Owens Corning®.

Due to variations in installation methods and metal roof rib or seam configurations; calculated values shown herein do not compensate for thermal bridging or thermal loss from existing roof panel rib configuration.

Calculated R-Values shown herein do not take credit for air film effects or use of vapor barriers within the insulation system.

INSULATED ASSEMBLIES
SINGLE BLANKET
3/8" LOW CLIP SSR OVER PBR PANEL

SCALE: NTS

03-1B-S-R
07/15/2019