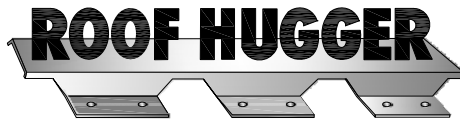
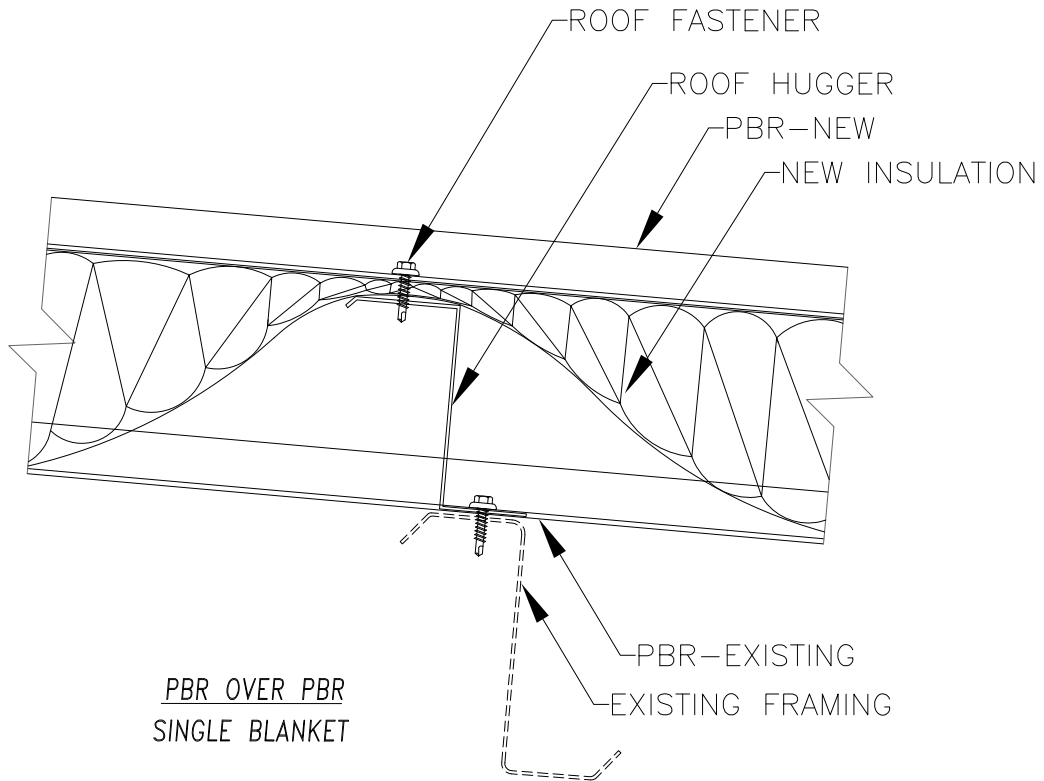


ROOF HUGGER, LLC
P.O. BOX 127, ODESSA FL 33556
P: 800 771-1711
F: 877 202-2254
www.roofhugger.com



COPYRIGHT © 2019
A Member Company of LSI Group, Inc.



System		PBR over PBR - Single Blanket				
Roof Hugger Web Depth in Inches	Maximum Cavity Depth in Inches	Initial Insulation Thickness in Inches	Estimated R- Value	Estimated U- Value	Thermal Spacer Thickness in Inches	UNFACED Blanket Thickness Combination Used
1.83	2.018	3.00	6.52	0.153	n/a	3.00" blanket over purlins; 3/16" used as max. compression
2.75	3.000	3.00	9.32	0.107	n/a	3.30" blanket over purlins; 1/4" used as max. compression

Compressed insulation R-Values have been calculated from a published method of the North American Insulation Manufacturers Association® (NAIMA®).

Insulation R-Value calculated based on published industry information from NAIMA®, CertainTeed®, Johns Manville® or Owens Corning®.

Due to variations in installation methods and metal roof rib or seam configurations; calculated values shown herein do not compensate for thermal bridging or thermal loss from existing roof panel rib configuration.

Calculated R-Values shown herein do not take credit for air film effects or use of vapor barriers within the insulation system.

INSULATED ASSEMBLIES
SINGLE BLANKET
PBR OVER PBR

SCALE: NTS

01-1B-R-R
07/15/2019