

**REQUIRED FOR QUOTES AND ORDERING**

PH: 800-771-1711 • FX: 877-202-2254

Email: [sales@roofhugger.com](mailto:sales@roofhugger.com)

Company Name: \_\_\_\_\_  
 Contact Name: \_\_\_\_\_  
 Address: \_\_\_\_\_  
 City/State/Zip: \_\_\_\_\_  
 Phone: \_\_\_\_\_ Fax: \_\_\_\_\_  
 Email: \_\_\_\_\_  
 Project Name: \_\_\_\_\_  
 Building Owner: \_\_\_\_\_  
 Address: \_\_\_\_\_  
 City/State/Zip: \_\_\_\_\_  
 Phone: \_\_\_\_\_ Fax: \_\_\_\_\_

Ship To (Company Name): \_\_\_\_\_  
 C/O (If different than above): \_\_\_\_\_  
 Delivery Contact: \_\_\_\_\_  
 Telephone: \_\_\_\_\_  
 Address: \_\_\_\_\_  
 City/State/Zip: \_\_\_\_\_  
 Required Delivery Date: \_\_\_\_\_  
**Hugger Quantity (LF):** \_\_\_\_\_ *(per your take-off)*  
 Hugger Gauge:  16 GA  14 GA  
 Area Wind Speed per Code: \_\_\_\_\_ MPH  
 Type of Quote:  Components Only  Engineered Quote

**CHECK EXISTING PANEL PROFILE BELOW AND PROVIDE CRITICAL DIMENSIONS IN LEFT-HAND BOX** These dimensions are essential for us to quote and/or fabricate Roof Huggers Correctly for You!

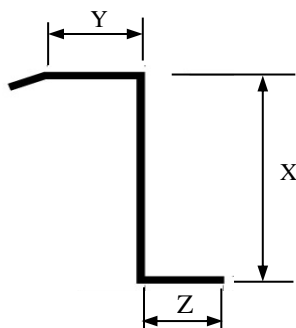
**PROVIDE CORRESPONDING DIMENSIONS AS SHOWN AT RIGHT FOR SELECTED PROFILE**

A = \_\_\_\_\_  
 B = \_\_\_\_\_  
 C = \_\_\_\_\_  
 D = \_\_\_\_\_  
 E = \_\_\_\_\_

*If your panel does not resemble any of the profiles at the right, provide a sketch on a separate page*

**NEED A SPECIAL HUGGER?** Roof Huggers are normally 3/8" to 1/2" Taller than existing ribs. If you require a taller Hugger for insulation or other reasons, please provide the below dimensions.

X = \_\_\_\_\_  
 Y = \_\_\_\_\_  
 Z = \_\_\_\_\_

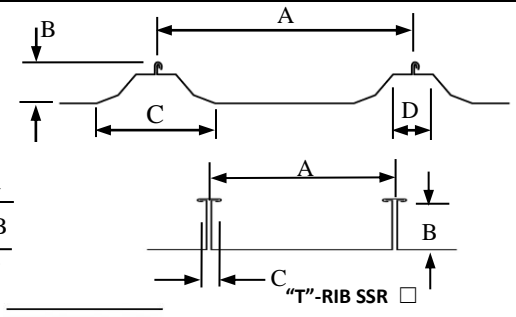


**EXISTING STANDING SEAM?**

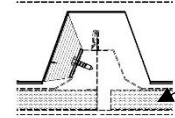
TRAPEZOIDAL-RIB SSR

VERTICAL-RIB SSR

"T"-RIB SSR



**IMPORTANT:** Does the Existing Roof Panel have Thermal Blocks? (See our Stand-off Clip Instructions)



What is Panel Clip Stand-off Dimension? \_\_\_\_\_"

**EXISTING SCREW-DOWN?**

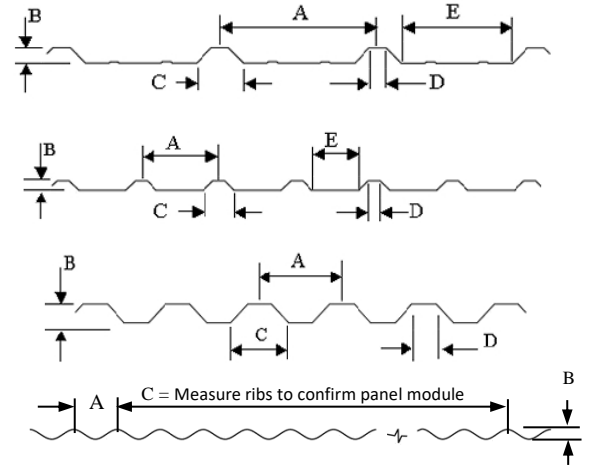
R-PANEL

MINI-RIB

7.2 RIB

CORRUGATED

If A=2.67" (9 Ribs = 24")  
 If A=2.50" (8 Ribs = 20")  
 If A=2.75" (8 Ribs = 22")  
 If A=4.20" (5 Ribs =21")



**Contractor** should verify the existing panel module (rib centers) is maintained at several locations of existing roof. Panel run-out may require adjustments to Hugger punching. **This should be known in advance for both of us doing a perfect job.**

**I hereby confirm that the above dimensions are correct and complies with actual field obtained information**

Your Name (Please Print Clearly): \_\_\_\_\_ Date: \_\_\_\_\_

Signature: \_\_\_\_\_ Title: \_\_\_\_\_